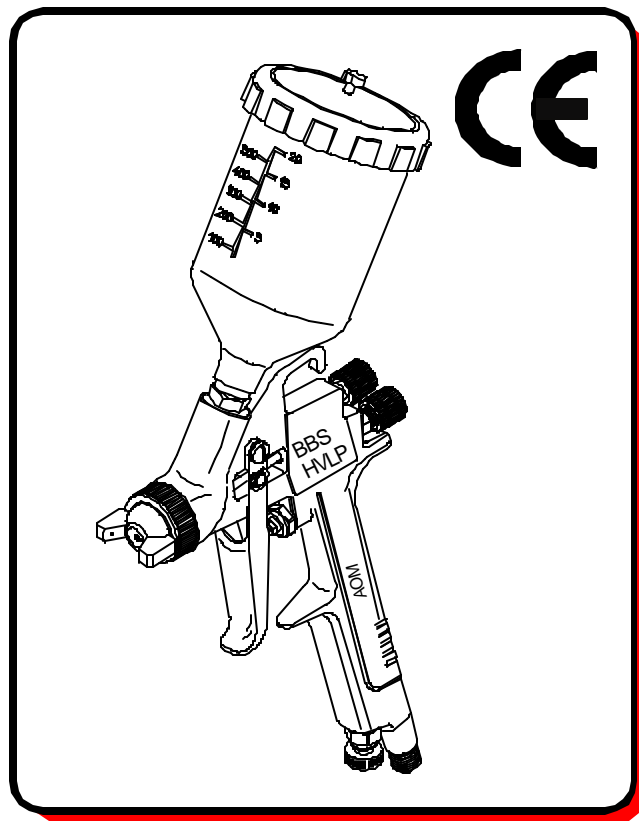


USE AND MAINTENANCE MANUAL



WRITTEN BY REDIMECSnc
SETTIMO MILANESE (MI)



SPRAY GUN MOD. **BBS HVLP**

(Rev. 2 - 21/05/01)
USA - BBS HVLP- 1.0

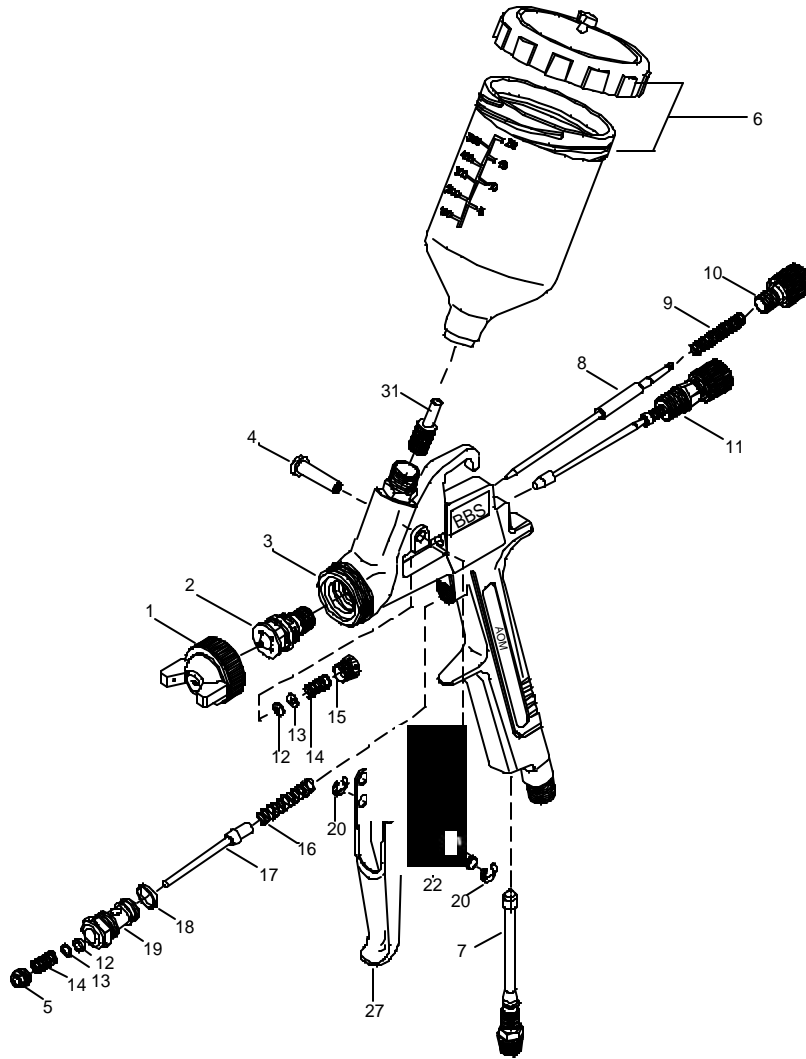
COMPANY
WITH QUALITY SYSTEM
CERTIFIED BY DNV
— ISO 9001 —

Cert. -04985-99-AQ-MIL-SINCERT

USE AND MAINTENANCE MANUAL



SPRAY GUN ASSEMBLY DRAWING



USE AND MAINTENANCE MANUAL



SPRAY GUN COMPONENTS

Pos.	CODE	Description
1	Air cap with ring BBS HVLP
2	BBS HVLP nozzle
3	18640A	BBS HVLP complete body
4	19612A	Trigger pin
5	24062R	Nickeled air packing nut
6	18500SE	600cc (18 fl.oz.) nylon gravity tank
7	16582A	BBS complete pressure regulator
8	Fluid adjusting needle
9	18629A	BBS needle-pushing spring
10	12542A	Needle adjusting stroke knob
11	18651A	New complete BBS fluid regulator
12	24060R	Air/needle valve packing
13	24058R	3x7x0,5 (0.11x0.27x0.02) zinc washer
14	24056R	Air/needle valve packing spring
15	18652A	Needle packing nut
16	16570A	Air valve spring
17	18680A	BBS complete air valve rod
18	24052R	3030 viton o-ring
19	18685A	BBS air valve body
20	18636A	RS 5 stainless steel ring
21	16591A	Trigger pin screw
22	18635A	BBS central trigger pin
27	18634A	BBS nickeled trigger
28	24092R	Wrench
29	24097R	Nylon cleaning brush
31	304007	Gravity cap lid
32	25026R	Spray gun wall mounting holder

19848A	AIR CAP RING	BBS HVLP	Ø0.8
19850A	AIR CAP RING	BBS HVLP	Ø1.0
19852A	AIR CAP RING	BBS HVLP	Ø1.2
19854A	AIR CAP RING	BBS HVLP	Ø1.4
19855A	AIR CAP RING	BBS HVLP	Ø1.5
19856A	AIR CAP RING	BBS HVLP	Ø1.7
19857A	AIR CAP RING	BBS HVLP	Ø1.9
19858A	AIR CAP RING	BBS HVLP	Ø2.2
19859A	AIR CAP RING	BBS HVLP	Ø2.5
19860A	AIR CAP RING	BBS HVLP	Ø3.0

16408A	NOZZLE	BBS HVLP	Ø0.8
18280A	NOZZLE	BBS HVLP	Ø1.0
18282A	NOZZLE	BBS HVLP	Ø1.2
18284A	NOZZLE	BBS HVLP	Ø1.4
18285A	NOZZLE	BBS HVLP	Ø1.5
18287A	NOZZLE	BBS HVLP	Ø1.7
18289A	NOZZLE	BBS HVLP	Ø1.9
18292A	NOZZLE	BBS HVLP	Ø2.2

18658A	NEEDLE	BBS HVLP	Ø0.8
18660A	NEEDLE	BBS HVLP	Ø1.0
18662A	NEEDLE	BBS HVLP	Ø1.2
18664A	NEEDLE	BBS HVLP	Ø1.4
18665A	NEEDLE	BBS HVLP	Ø1.5
18667A	NEEDLE	BBS HVLP	Ø1.7
18669A	NEEDLE	BBS HVLP	Ø1.9
18672A	NEEDLE	BBS HVLP	Ø2.2

KIT

199XX	Needle-nozzle-cap kit (replace xx with Ø) (Pos. 1-2-8)
18645A	BBS packing and spring kit (Pos. 9-12x2-13x2-14x2-16-17-18)
304117	Packing of 10 paint filters 700 MA.