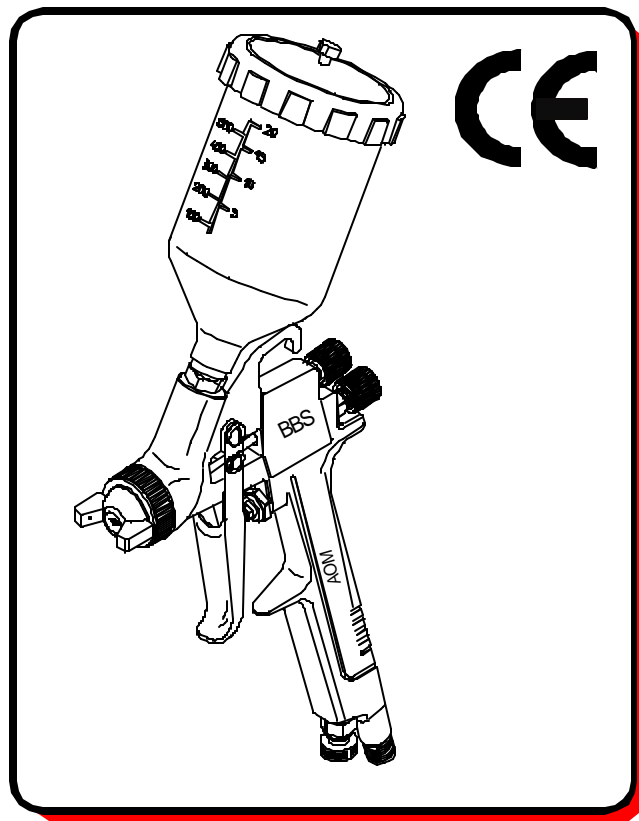


USE AND MAINTENANCE MANUAL



WRITTEN BY REDIMECSnc
SETTIMO MILANESE (MI)



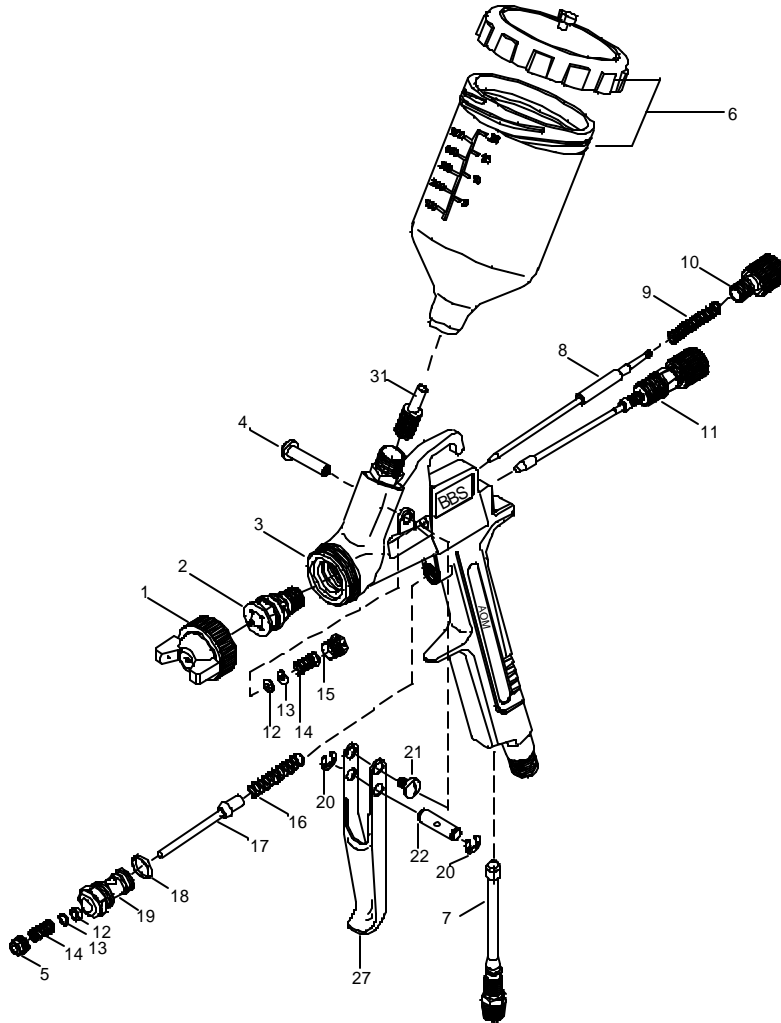
SPRAY GUN MOD. **BBS**

COMPANY
WITH QUALITY SYSTEM
CERTIFIED BY DAN
Cert. -04985-99-AG-MIL-SINCERT
150 9001

USE AND MAINTENANCE MANUAL



SPRAY GUN ASSEMBLY DRAWING



USE AND MAINTENANCE MANUAL



SPRAY GUN COMPONENTS

Pos.	CODE	Description
1	Air cap with ring
2	BBS nozzle
3	18640A	BBS complete body
4	19612A	Trigger pin
5	24062R	Nickeled air packing nut
6	18500SE	600cc (18 fl.oz.) nylon gravity tank
7	16582A	BBS complete pressure regulator
8	Fluid adjusting needle
9	18629A	BBS needle-pushing spring
10	12542A	Needle adjusting stroke knob
11	18651A	New complete BBS fluid regulator
12	24060R	Air/needle valve packing
13	24058R	3x7x0,5 (0.11x0.27x0.02) zinc washer
14	24056R	Air/needle valve packing spring
15	18652A	Needle packing nut
16	16570A	Air valve spring
17	18680A	BBS complete air valve rod
18	24052R	3030 viton o-ring
19	18685A	BBS air valve body
20	18636A	RS 5 stainless steel ring
21	16591A	Trigger pin screw
22	18635A	BBS central trigger pin
27	18634A	BBS nickeled trigger
28	24092R	Wrench
29	24097R	Nylon cleaning brush
31	304007	Gravity cap lid
32	25026R	Spray gun wall mounting holder

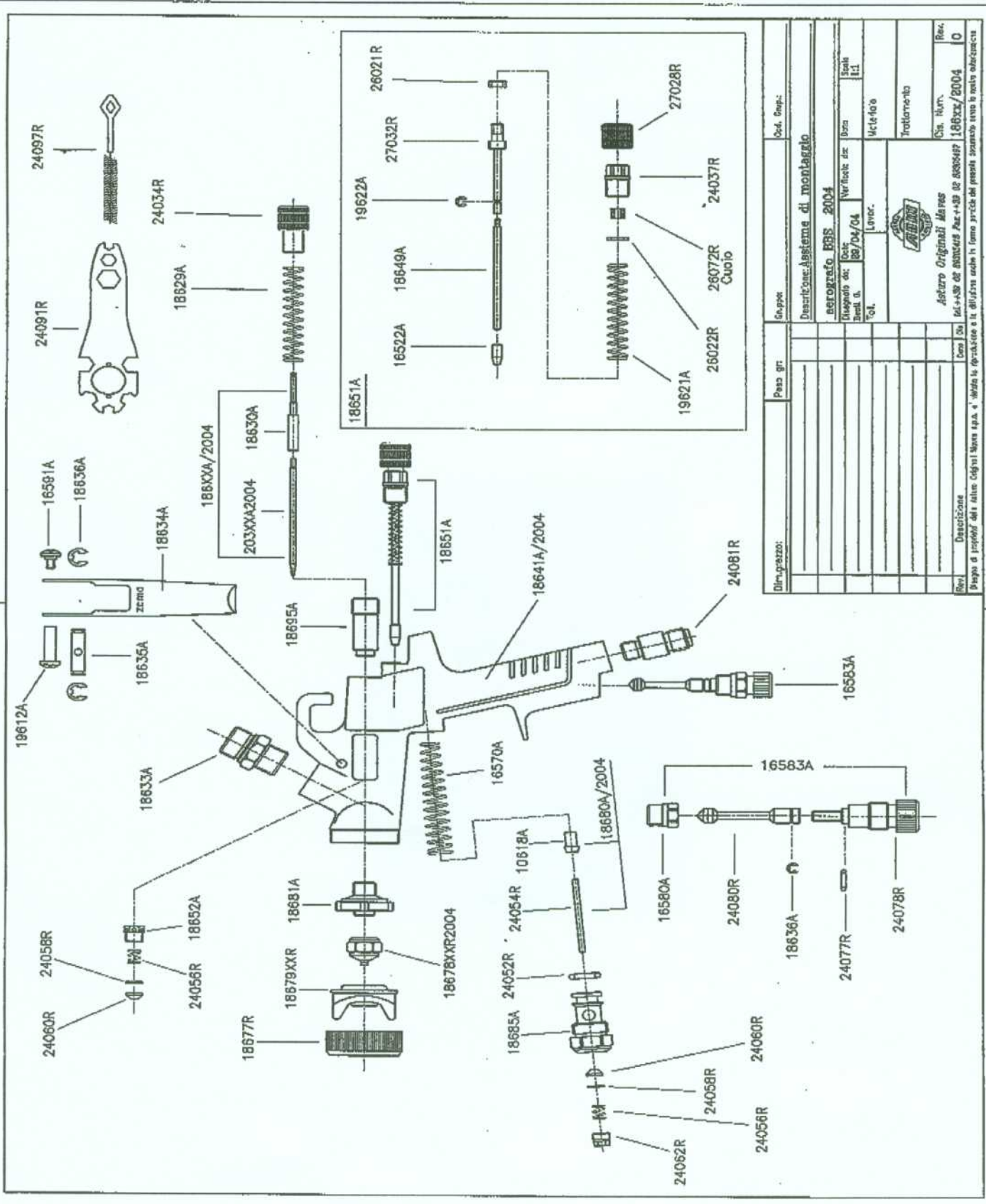
16228A	AIR CAP RING	BBS	Ø0.8
16230A	AIR CAP RING	BBS	Ø1.0
16232A	AIR CAP RING	BBS	Ø1.2
16234A	AIR CAP RING	BBS	Ø1.4
16235A	AIR CAP RING	BBS	Ø1.5
16237A	AIR CAP RING	BBS	Ø1.7
16239A	AIR CAP RING	BBS	Ø1.9
16242A	AIR CAP RING	BBS	Ø2.2
16245A	AIR CAP RING	BBS	Ø2.5
16246A	AIR CAP RING	BBS	Ø3.0

16408A	NOZZLE	BBS	Ø0.8
16410A	NOZZLE	BBS	Ø1.0
16412A	NOZZLE	BBS	Ø1.2
16414A	NOZZLE	BBS	Ø1.4
16415A	NOZZLE	BBS	Ø1.5
16417A	NOZZLE	BBS	Ø1.7
16419A	NOZZLE	BBS	Ø1.9
16422A	NOZZLE	BBS	Ø2.2
16425A	NOZZLE	BBS	Ø2.5
16430A	NOZZLE	BBS	Ø3.0

18658A	NEEDLE	BBS	Ø0.8
18660A	NEEDLE	BBS	Ø1.0
18662A	NEEDLE	BBS	Ø1.2
18664A	NEEDLE	BBS	Ø1.4
18665A	NEEDLE	BBS	Ø1.5
18667A	NEEDLE	BBS	Ø1.7
18669A	NEEDLE	BBS	Ø1.9
18672A	NEEDLE	BBS	Ø2.2
18675A	NEEDLE	BBS	Ø2.5
18676A	NEEDLE	BBS	Ø3.0

KIT

- 189XX Needle-nozzle-cap kit (replace xx with Ø) (Pos. 1-2-8)
- 18645A BBS packing and spring kit (Pos. 9-12x2-13x2-14x2-16-17-18)
- 304117 Packing of 10 paint filters.



Dir. pz.:	Pezzo gr.	Co. pz.	Co. d. pz.
Descrizione: Assemblea di montaggio			
aerografo BB 2004			
Disegnato da:	Co.:	Verificato da:	Scale:
186/04/04	186/04/04	186/04/04	1:1
Tol.		Lever.	
Utile/foce		Trattamento	
Descrizione	Co. d. pz.	Cis. Num.	Rev.
Pezzo di ricambio dell'arma Originali Mars s.p.a. s. Italia le operazioni e le istruzioni sono in forma grafica del pezzo stesso sono in tutto abbinamenti	186XX/2004	186XX/2004	0