



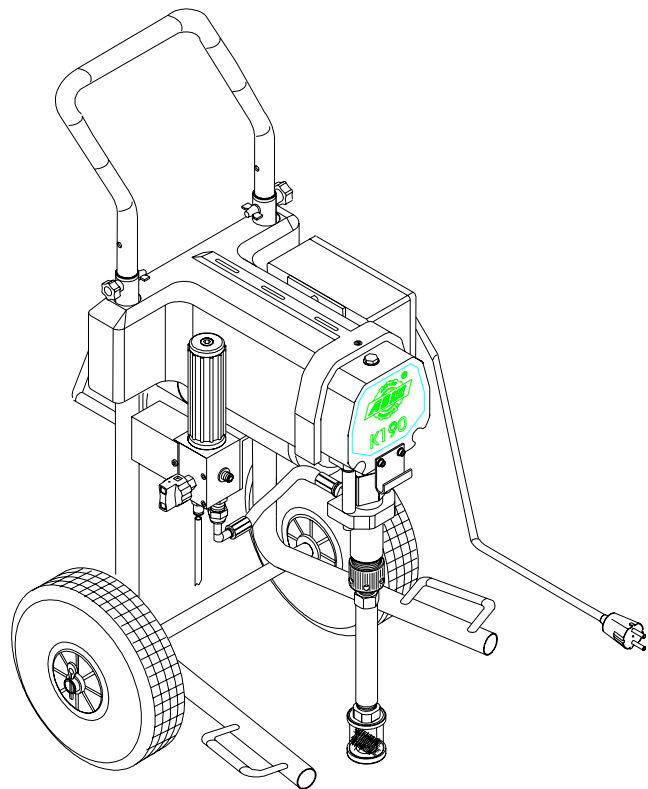
USE AND MAINTENANCE MANUAL



IMPORTANT: *this manual contains technical information and warnings to use pump **K190**. This manual must be kept for future references.*

AIRLESS ELECTRIC PISTON PUMP MOD. K190

Maximum pressure
max 250 bar (3670 psi)

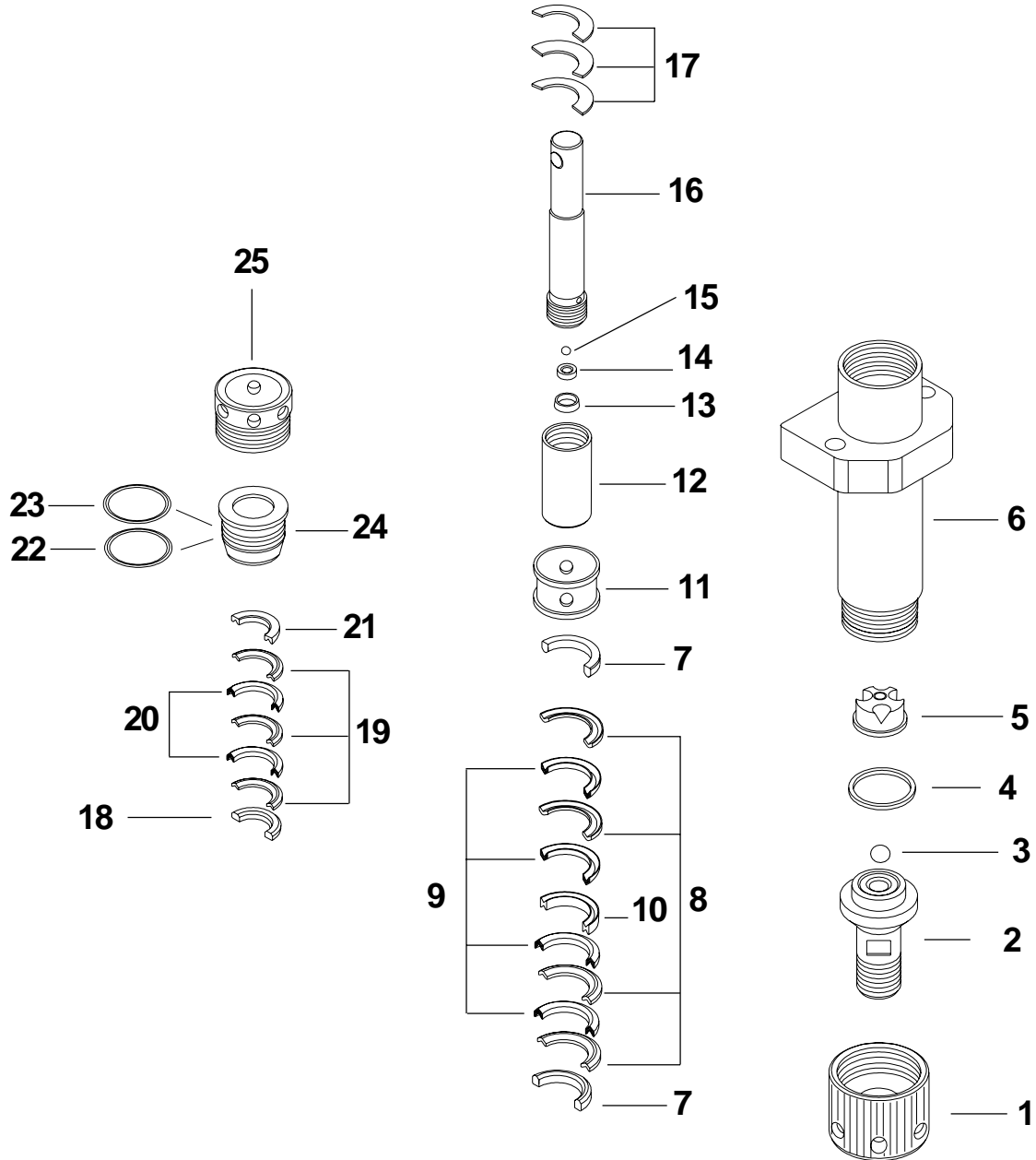


Model 771911*
paint unit at 120 Volts
(without hose and gun)

USE AND MAINTENANCE MANUAL



PUMP COMPONENTS CODE 771930R



USE AND MAINTENANCE MANUAL



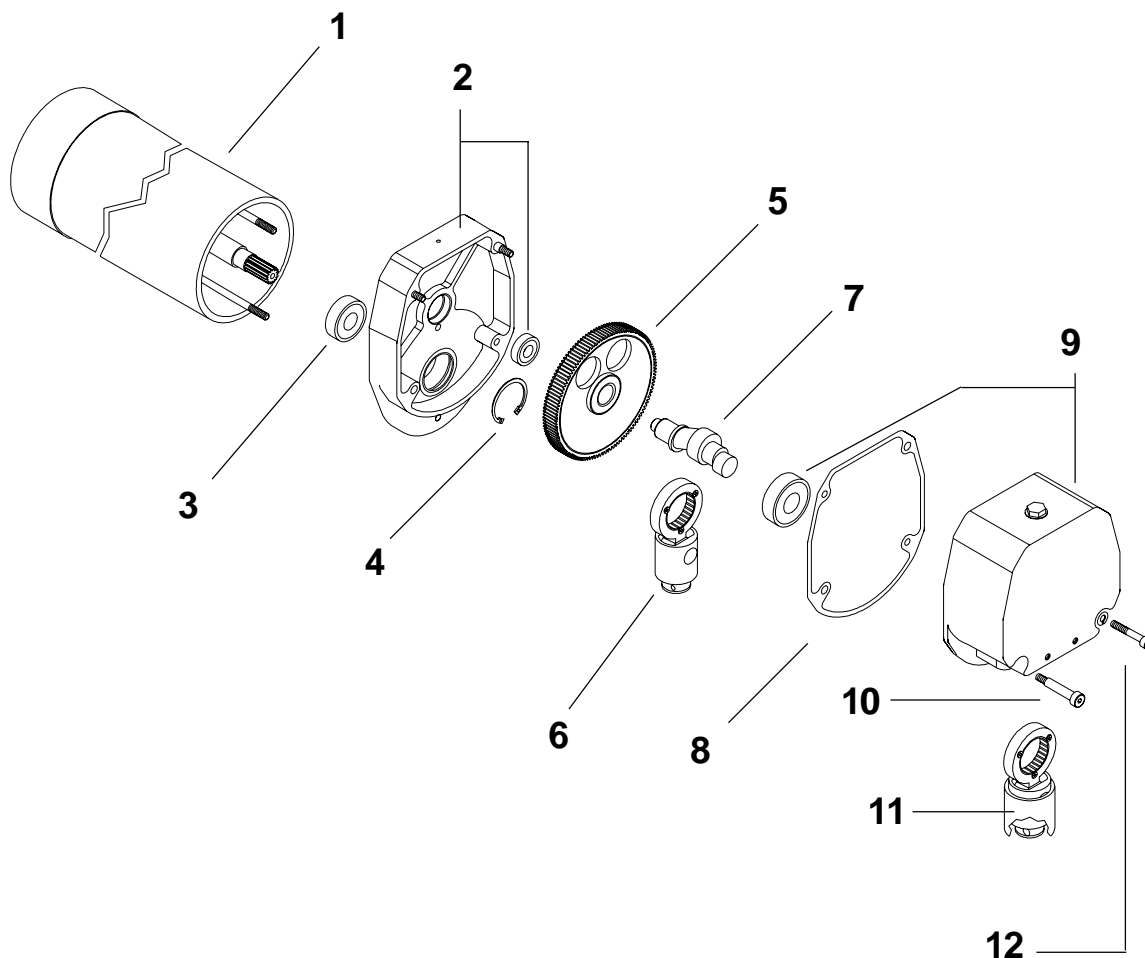
PUMP COMPONENTS CODE 771930R

Pos.	CODE	Description	Quantity
1	771931R	M42 threaded ring nut	1
2	771932R	Tang with hard metal plug nut	1
3	771933R	1/2" steel sphere	1
4	142325R	PTFE seal ring	1
5	771935R	1/2 "G sphere cage	1
6	771936R	Stainless steel pumping body	1
7	771937R	Steel pressure plate	2
8	771938R	Leather lower gasket set	4
9	771939R	PTFE lower gasket set	4
10	771940R	Steel reverse plate	1
11	771941R	Gasket holder ring	1
12	771942R	Bush for pump	1
13	771943R	Gasket for pump	1
14	771944R	Hard metal seal plug nut	1
15	771945R	1/4" steel sphere	1
16	771946R	Shaft for pump	1
17	771947R	Cup springs for pump	3
18	771948R	Upper gasket set pressure plate	1
19	771949R	Leather upper gasket set	3
20	771950R	PTFE upper gasket set	2
21	771951R	Upper plate	1
22	771952R	PTFE OR	1
23	771953R	Viton OR	1
24	771954R	Bushing for OR	1
25	771955R	Stuffing box	1

USE AND MAINTENANCE MANUAL



HEAD COMPONENTS CODE 771960R

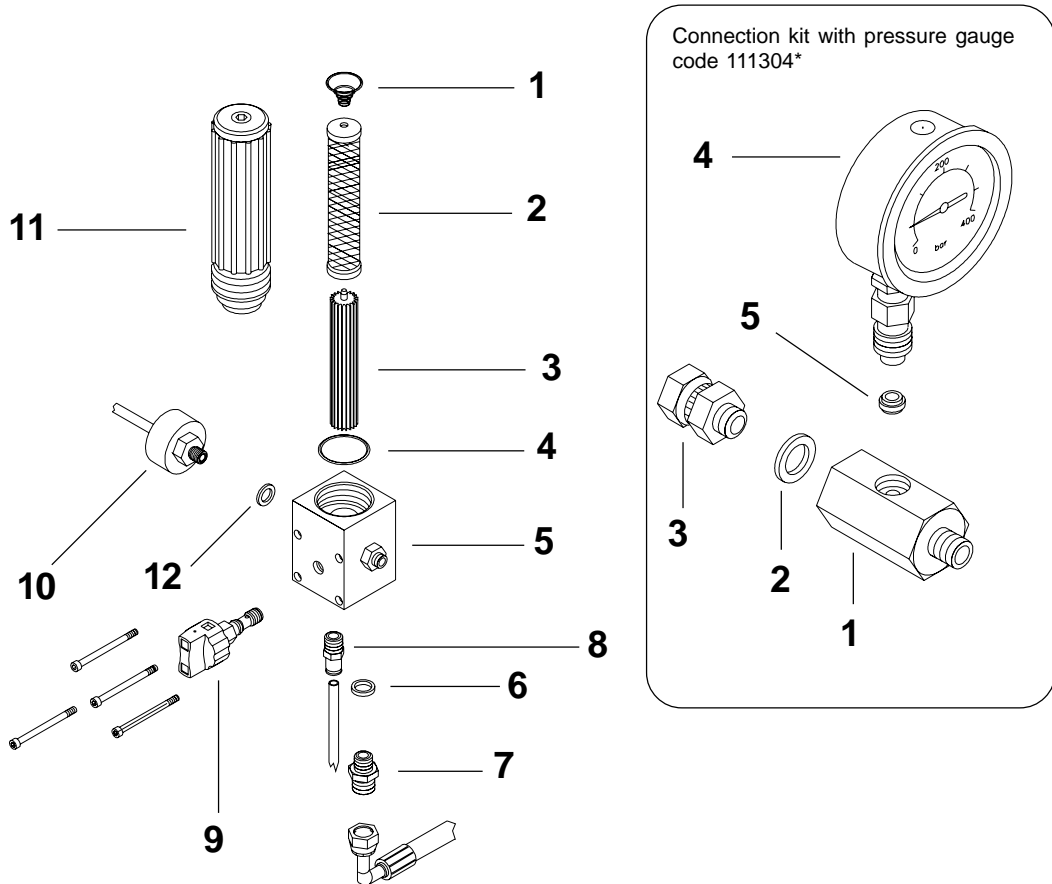


Pos.	CODE	Description	Quantity
1	771961R	0.75HP 180V 50-60 Hz D.C. electric motor	1
2	771962R	Motor connecting base motor with bearing	1
3	771963R	Bearing for motor	1
4	771964R	Seeger ring	1
5	771965R	Z=127 driven gear	1
6	771966R	Complete connecting-rod/plate system	1
7	771967R	Eccentric shaft	1
8	771968R	Gasket for head	1
9	771969R	Head fusion with bearing	1
10	771970R	8-M6x35 screw	2
11	771971R	Bronze bushing	1
12	771972R	M6x40 tropicalized socket head screw	2

USE AND MAINTENANCE MANUAL



LINE FILTER COMPONENTS CODE 771980R



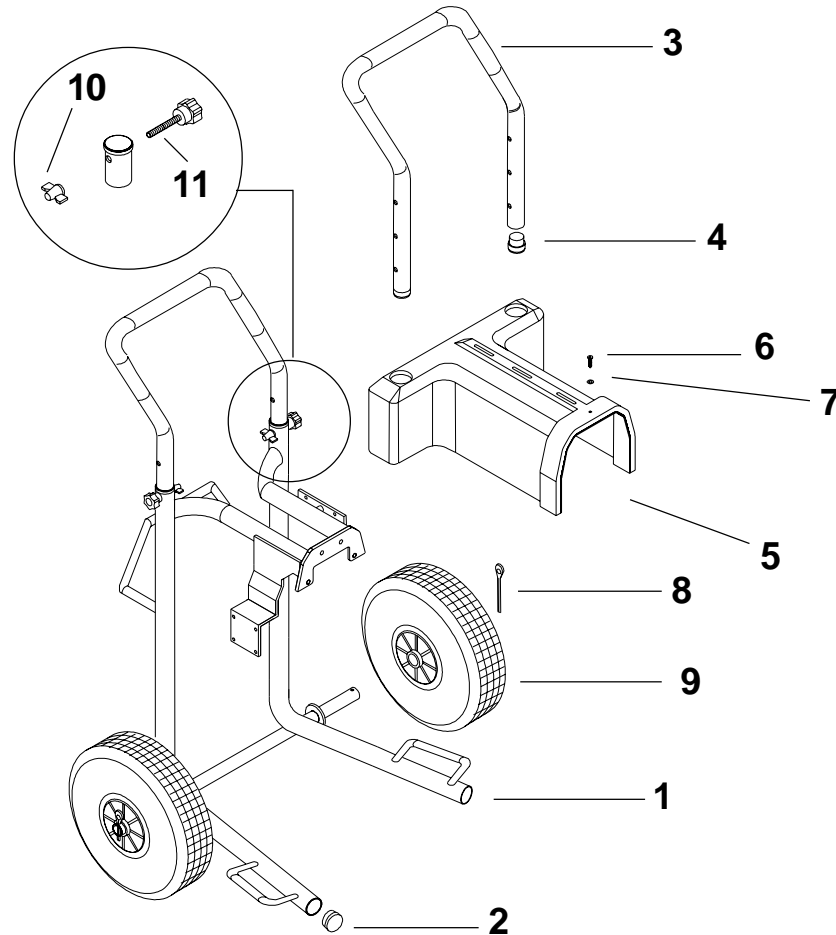
Pos.	CODE	Description	Quantity
1	300004R	Stainless steel spring	1
2	301061	60 mesh filter (10 pieces pack)	1
3	300003R	Filter support	1
4	300002R	PTFE line filter gasket	1
5	771982R	Complete aluminium filter body	1
6	120014	1/4" copper washer	1
7	151438*	1/4"G - 3/8" G nipple	1
8	150814*	D. 8 1/4" Mob. elbow IST connection	1
9	771990R	Max. pressure relief valve	1
10	771981R	Pressure sensor	1
11	771984R	Aluminium filter complete upper part	1
12	120014	1/4" copper washer	1

Pos.	CODE	Description	Quantity
1	110014R	Connection for 1/4"-3/8" pressure gauge	1
2	120038R	3/8" copper washer	1
3	163814*	1/4" -3/8" revolving adapter	1
4	130001	0-400 bar glass pressure gauge	1
5	130002R	Copper gasket for pressure gauge	1

USE AND MAINTENANCE MANUAL

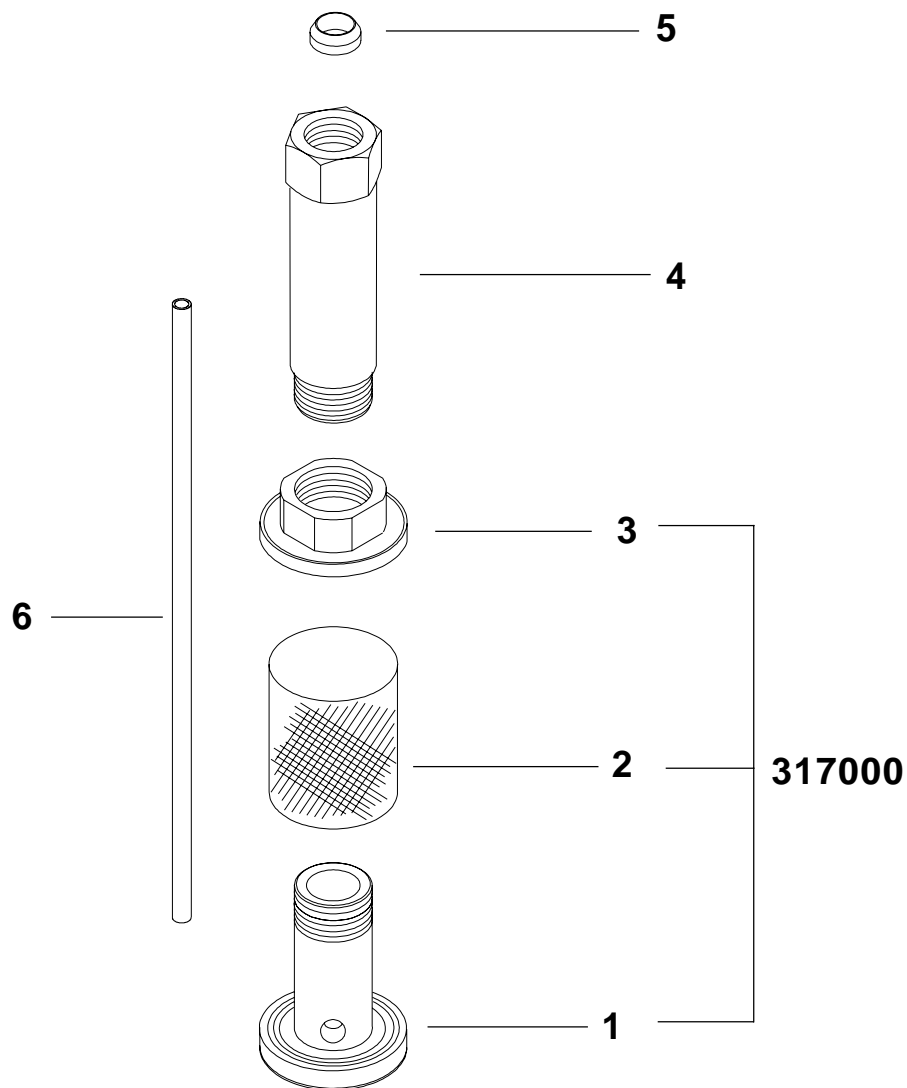


TROLLEY COMPONENTS CODE 771200R



Pos.	CODE	Description	Quantity
1	771201R	Trolley	1
2	771202R	Cap rubber push rod	2
3	771203R	Trolley handle	1
4	771204R	Rubber cap for handle	2
5	771205R	ABS pump cover guard	1
6	771206R	Ø 4.2x13 T cross galvanized self-tapping screw	1
7	400064R	Ø 5 hole washer for self-tapping screw	1
8	212474R	Split pin	2
9	751064R	Wheel	2
10	771209R	M6 plastic wing nut	2
11	771208R	Galvanized M6x40 male plastic knob	2

DIRECT SUCTION SYSTEM COMPONENTS IN THE CAN CODE 771220R

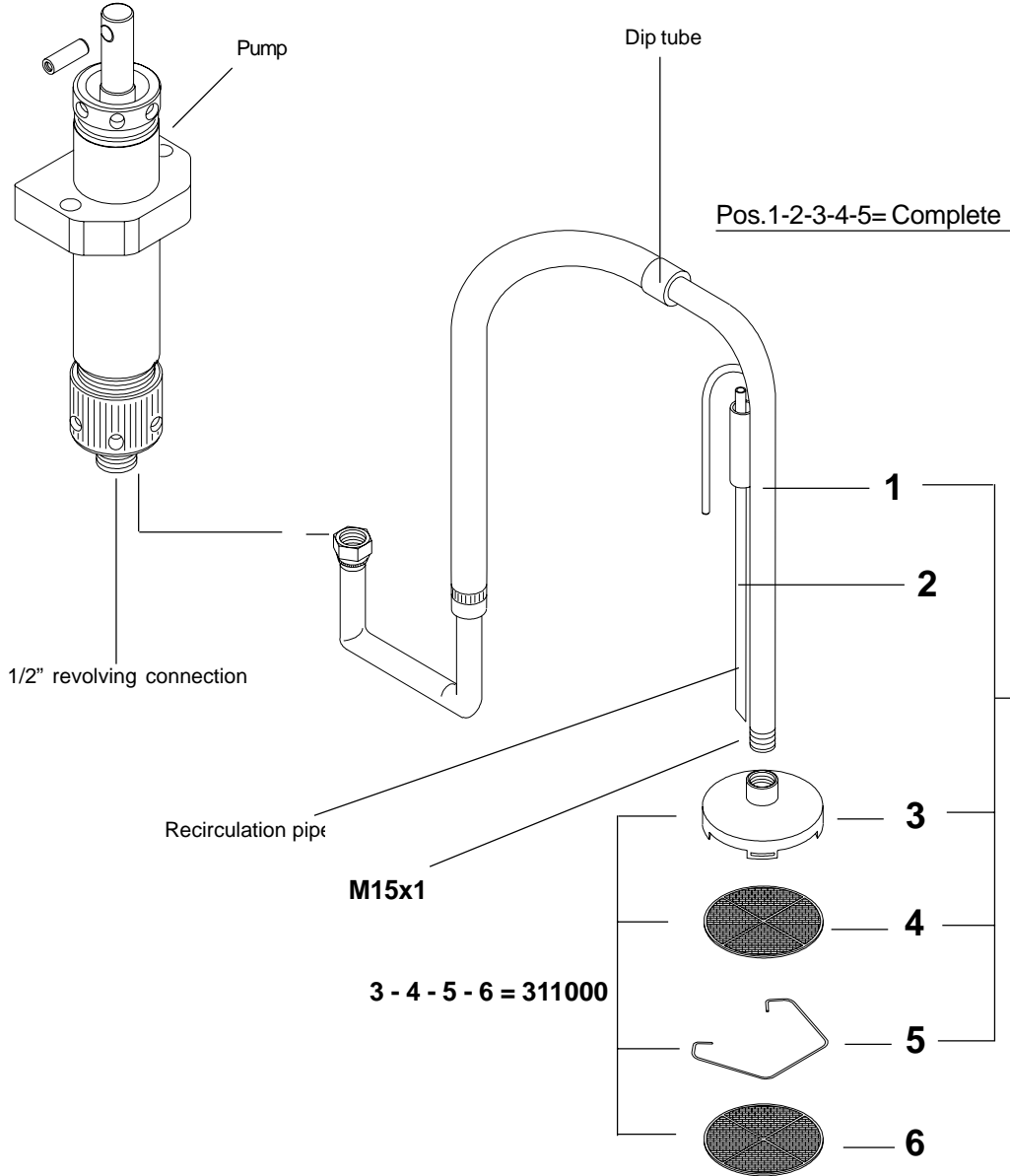


Pos.	CODE	Description	Quantity
1	318002R	Mini suction filter body	1
2	307060*	60M filter net	1
3	318001R	Mini filter cap	1
4	771221R	Suction unit	1
5	771222R	PTFE gasket	1
6	771223R	Ø 6 x 8 mm rilsan pipe	1

USE AND MAINTENANCE MANUAL



SUCTION PAINT SYSTEM CODE 771230R

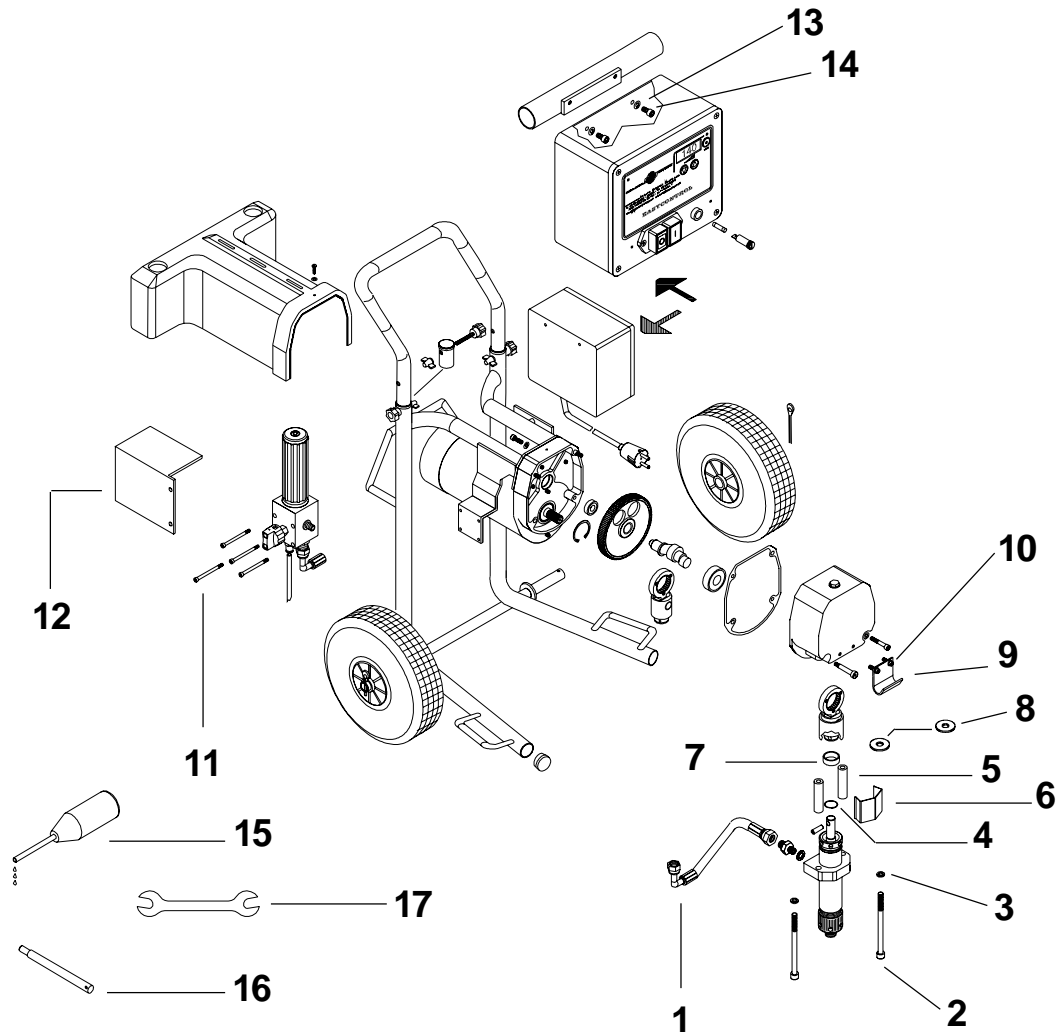


Pos.	CODE	Description	Quantity
1	771231R	1/2" FG threaded stainless steel paint suction pipe	1
2	771232R	Ø 6x8 mm recirculation pipe	1
3	314000	F15x1 filter holder	1
4	306051	60ME disc filter	1
5	313000	Stainless steel spring for filter holder	1
6	306030	30 ME disc filter	1

USE AND MAINTENANCE MANUAL



GENERAL ASSEMBLING DETAILS CODE 771240R

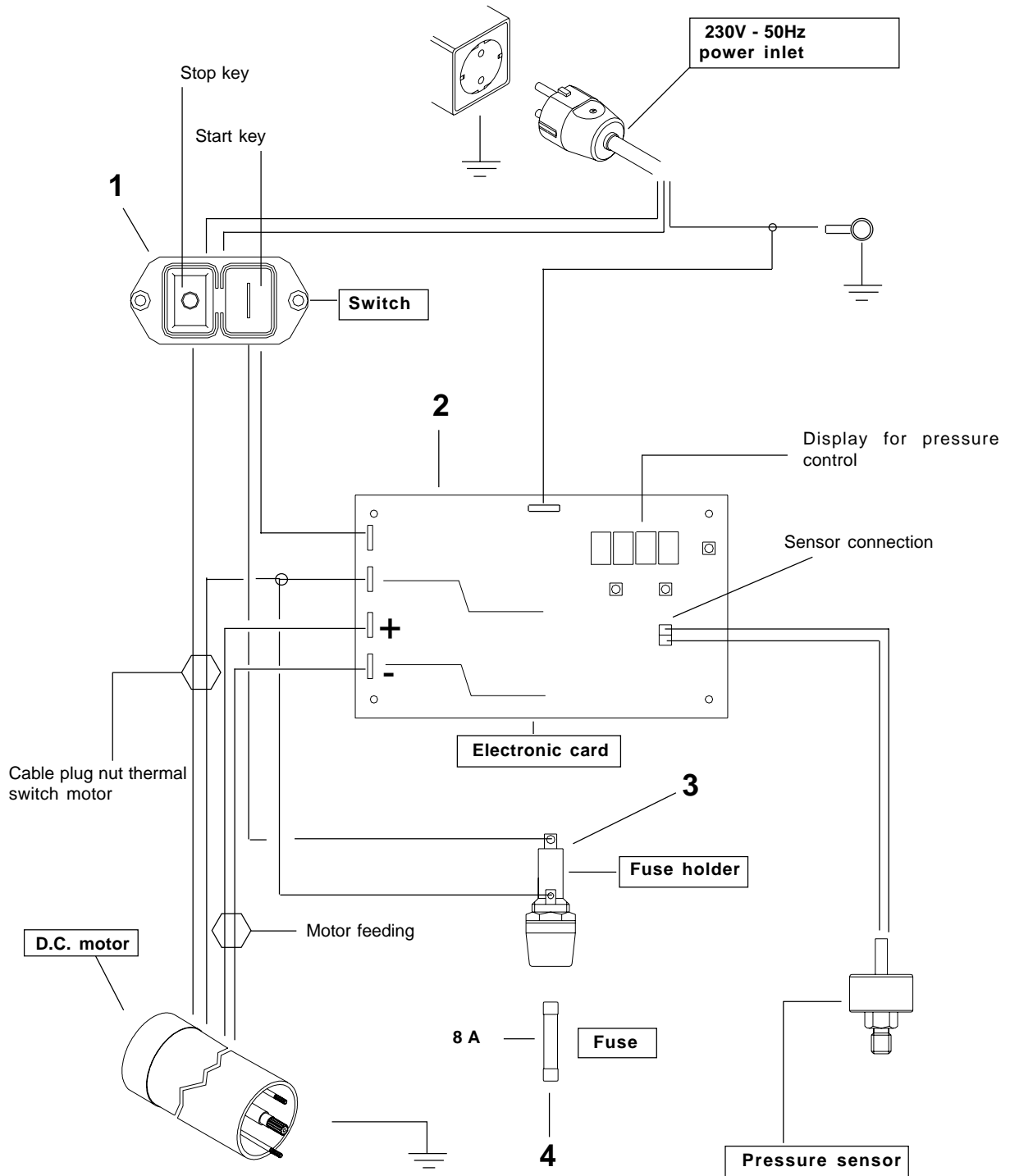


Pos.	CODE	Description	Quantity
1	771241R	3/8" pump-filter connecting pipe	1
2	771242R	Galvanized M8x105 socket head screw	2
3	751046R	8 DIAM. galvanized grower washer	2
4	771244R	Safety spring	1
5	771245R	Spacer for pump clamping	2
6	771246R	Pump safety guard	1
7	771247R	Pipe for piston	1
8	771248R	Ext.diam. 24mm stainless steel washer	2
9	771249R	Hook for bucket	1
10	751010R	Burnished socket head M6x12 screw	2
11	771251R	Galvanized M5x70 socket head screw	4
12	771252R	Protective sensor guard	1
13	771253R	Ø 5 grower washer	2
14	142831R	Galvanized M5x12 socket head screw	2
15	143021R	Lubricator	1
16	771255R	Wrench	1
17	100045R	19 - 22 fixed wrench	1

USE AND MAINTENANCE MANUAL



WIRING DIAGRAM AND SPARE PARTS CODE 771270R

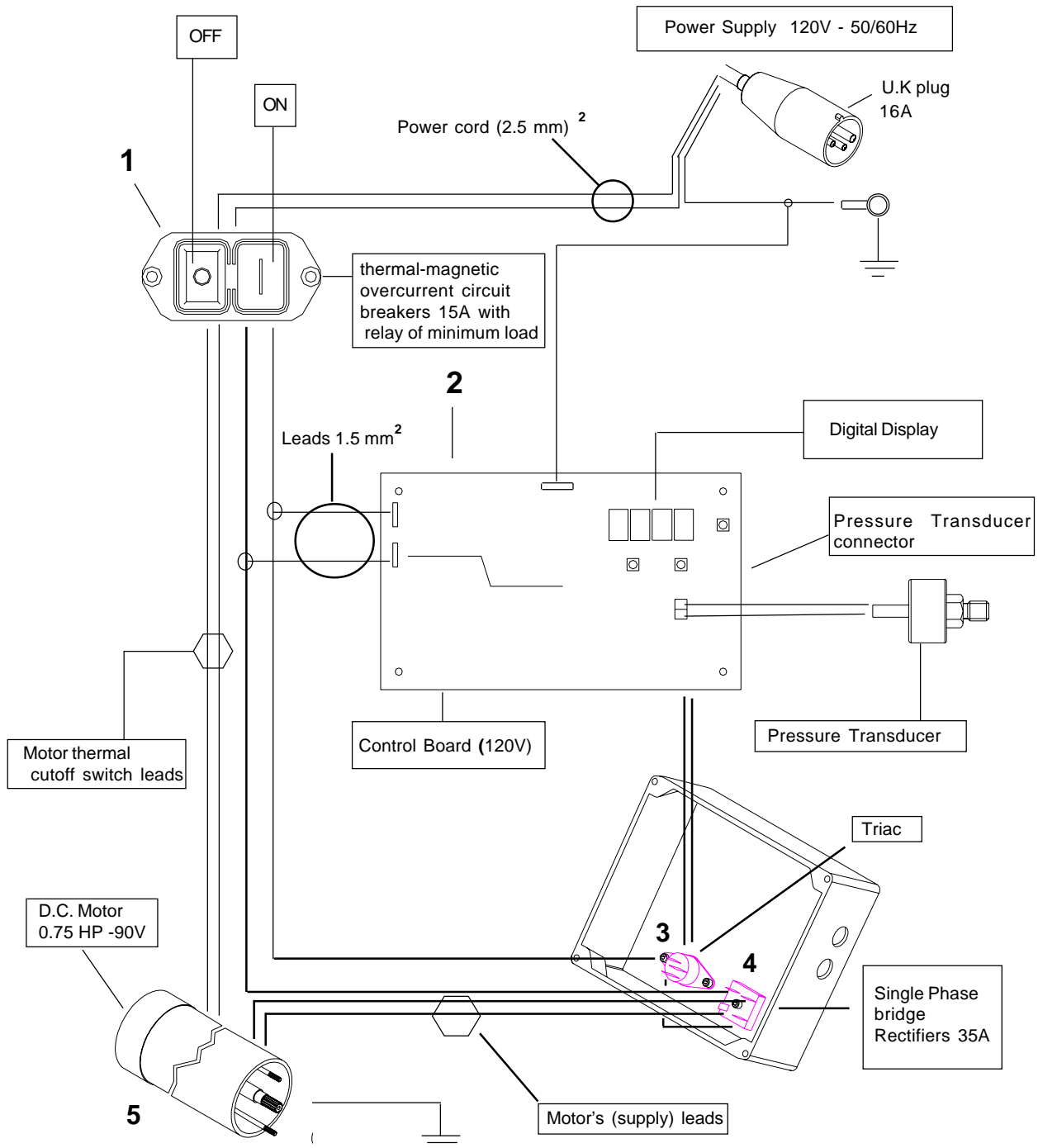


Pos.	CODE	Description	Quantity
1	771271R	On/off switch	1
2	771272R	230 V - 50Hz electronic card	1
3	771273R	20A fuse holder	1
4	771274R	8A ceramic fuse	1

USE AND MAINTENANCE MANUAL



Wiring diagram K190 120V



Item	Code	Description	Q.tà
1	772052R	T-M. overcurrent circuit breakers 120V - 15A	1
2	773852R	Control Board 120 V - 50/60Hz	1
3	773853R	Triac K190 120v	1
4	773865R	Single phase Bridge Rectifiers 35A	1
5	771976R	D.C.Motor 0.75HP 90V	1